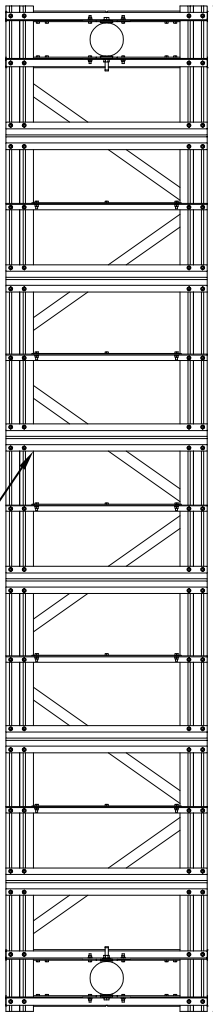
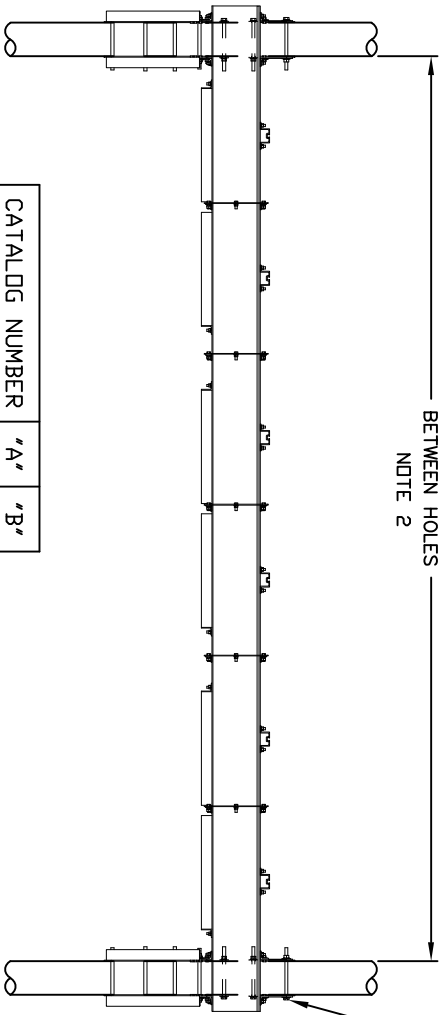


"B" FEET  
OVERALL LENGTH

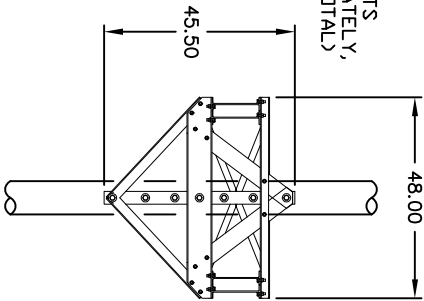


ADJUSTABLE MOUNTING SURFACE

"A" FEET  
BETWEEN HOLES  
NOTE 2



3/8" MOUNTING BOLTS  
(PURCHASED SEPARATELY,  
7 PER SIDE, 14 TOTAL)



CATALOG NUMBER	"A"	"B"
CPSEHD82	7	10
CPSEHD104	9	12
CPSEHD142	13	16
CPSEHD162	15	18
CPSEHD182	17	20
CPSEHD202	19	22
CPSEHD222	21	24

- =NOTES=  
 1. MATERIAL: 6061-T6 ALUMINUM  
 2. "A" DIMENSION BASED ON 12"

CHANCE  
TOLERANCE CHART

HUBBELL POWER SYSTEMS  
 PLATEFORM,  
 ALUMINUM

DO NOT SCALE THIS DRAWING

SIZE DWG NO. SB SACPSEHD182 CAT / PART / ASSY NO. SEE CHART

DRN BY HDEK DATE 5/10/19 SHEET 1 OF 1

CONFIDENTIAL: THIS DRAWING AND ITS CONTENTS ARE CONFIDENTIAL AND THE EXCLUSIVE PROPERTY OF HUBBELL POWER SYSTEMS. NO REPRODUCTION, DISTRIBUTION OR DISSEMINATION OF THIS DRAWING OR ITS CONTENTS OR HUBBELL POWER SYSTEMS UNPUBLISHED INFORMATION IS PERMITTED WITHOUT THE WRITTEN PERMISSION OF HUBBELL POWER SYSTEMS. ALL RIGHTS RESERVED UNDER THE COPYRIGHT LAWS.

