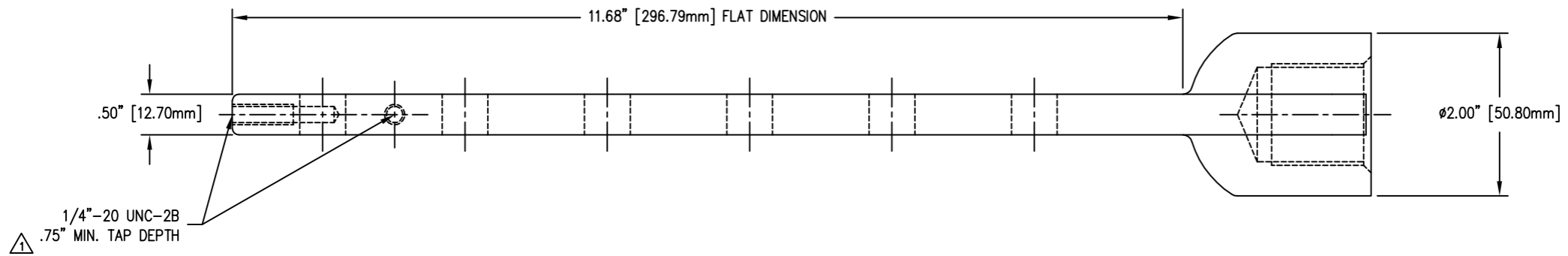
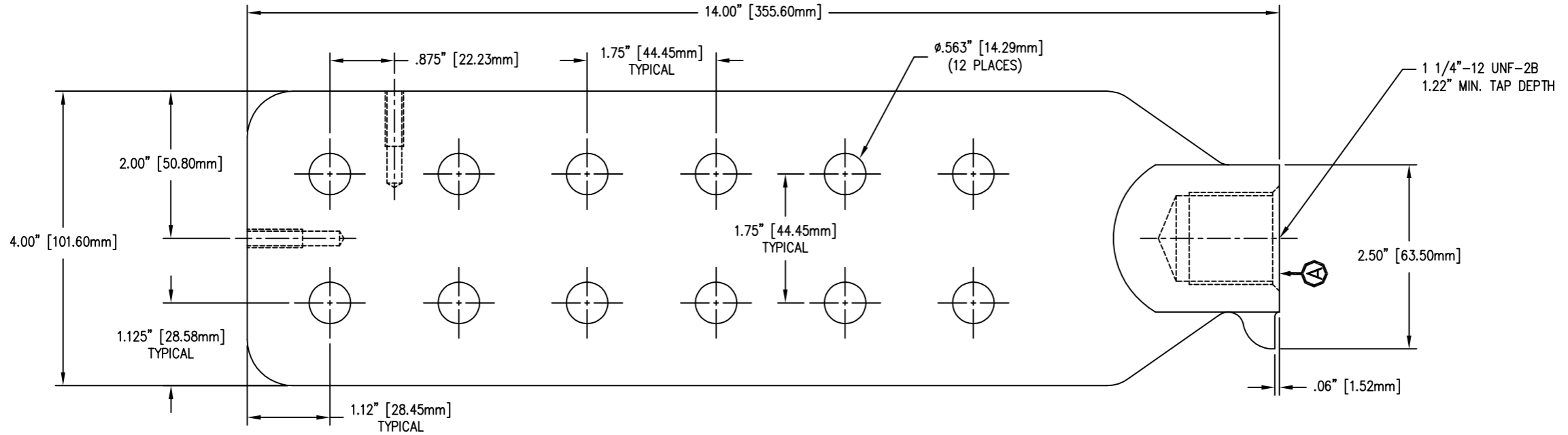



REVISIONS					
NO.	DATE	ECN #	REMARKS	BY	APPD.
1	3-2-05	HJ05-018	CHANGED TAP DEPTH.	JRM	SP



NOTE:
 FULL THREAD FROM SURFACE 
 TO THE DEPTH SPECIFIED IN THE TAP NOTE.

TOLERANCES (EXCEPT AS NOTED)		 H-J ENTERPRISES, INC. 3010 HIGH RIDGE BLVD. HIGH RIDGE, MO. 63049 USA PHONE 1-636-677-3421 FAX 1-636-376-1915			
DECIMAL	± .032"/.8mm				
FRACTIONAL	±	12 HOLE SPADE TERMINAL			
ANGULAR	± 2°	MATERIAL CDA 84400 TIN PLATED		CHK'D	APP'D
		DRAWING NO.		DRAWN BY CJT DATE 4-14-00	
		SCALE N.T.S.		SP3123-003	