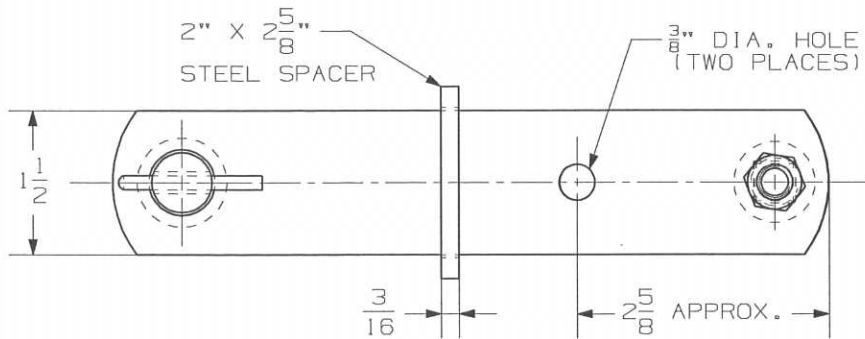
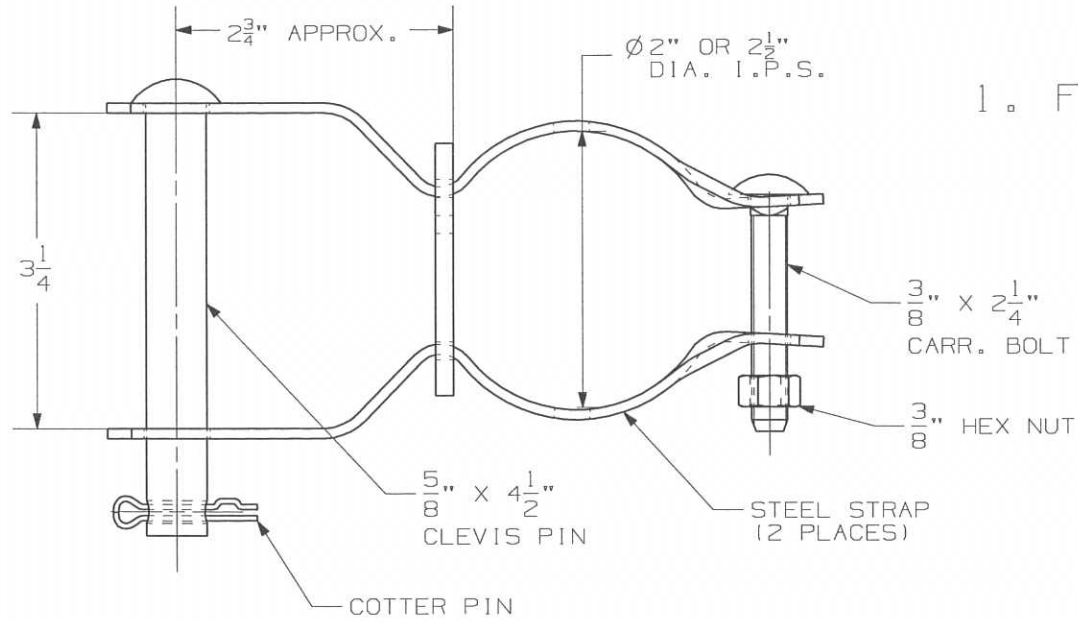


-NOTES-

1. FINISH: HOT DIP GALVANIZE



CATALOG NO. DW8M1

LATEST EC NO:	REV.	DATE	CHANGED BY	RESP ENGINEER
---	-	-----	---	---
DRN BY: DATE			TITLE:	
WILSON		12/20/10	SPOOL TYPE INSUL. BRCKT	
DO NOT SCALE THIS DWG			THIRD ANGLE PROJECTION	ISO DUAL DIMENSIONS IN=INCH, MM=MILLIMETER
SIZE				B



CHANCE®



DWG NO: SADW8M1

CONFIDENTIAL: THIS DRAWING AND ITS CONTENTS ARE CONFIDENTIAL AND THE EXCLUSIVE PROPERTY OF HUBBELL / A.B. CHANCE COMPANY. NO PUBLICATION, DISTRIBUTION OR COPIES MAY BE MADE WITHOUT WRITTEN CONSENT BY HUBBELL / A.B. CHANCE COMPANY. © 2001 HUBBELL/A.B. CHANCE. UNPUBLISHED - ALL RIGHTS RESERVED UNDER THE COPYRIGHT LAWS